

FLAGTRAX® - QUOTE REQUEST FORM

For Australia

Thank you for your interest in FlagTrax®

This document is designed to help you provide us with the correct information so we may quote and supply FlagTrax®. Please read pages 2-5. And then complete the FlagTrax® Site Inspection Report as best you can. Do not hesitate to ask us for assistance if required.

CONTACT DETAILS

COMPANY NAME: _____

CONTACT NAME: _____

ADDRESS: _____

CITY: _____

PHONE NUMBER: _____

EMAIL ADDRESS: _____

PROJECT SCOPE

PRODUCT REQUIRED: _____

QUANTITY: _____

DATE REQUIRED: _____

LOCATION OF INSTALL: _____

FLAGTRAX® PATENT INFORMATION

FlagTrax®, FlagTrax® Duo® and other products incorporating Nexus's PushPull™ Technology, including the flags, banners, lights and other objects displayed on them are protected in many countries by numerous patents, design registrations and copy rights, including but not limited to: Patents: New Zealand 544347 and 541624 | Patent Applications: New Zealand 614128, Australia 2012201021, Canada 2675043, International PCT/NZ2012/000237/WO2013/089566 | Design Registrations Applied for: New Zealand 417903, Australia 201313857 (Note: the international intellectual property protection of Nexus Developments Limited's products is evolving and the above details are subject to change without notice).

SITE SUITABILITY AND INSTALLATION

To install FlagTrax® you first need to establish that the site or sites you have identified are suitable for FlagTrax® installation. It often helps if you can send us photographs of the site, and the poles or lampposts involved. Manufacturers' specifications for the poles or infrastructure will also be of assistance, if available.

FlagTrax® can be fitted to new and existing poles, lampposts, light columns and walls.

FlagTrax® requires a clear vertical support surface for the track to be mounted to. There must be no obstructions (ie signs, fixtures, decorative details etc.) to restrict the mounting of the track and sufficient clearance below for easy flag installation.

Some things to consider...

Are the poles/structures already displaying street flags?

What size street flags are currently being displayed?

Do you have authorisation to use the sites?

Are the poles/structures free from obstructions which would restrict the use of FlagTrax®?

Is there suitable access space at the base of the poles/structures for safe street flag installation?

FlagTrax® installation must be carried out by an installer with the appropriate knowledge, skills and tools.



To install FlagTrax® a small amount of pre installation fabrication and assembly work will be required. If requested, we can provide additional advice or support to installers to ensure they have the necessary knowledge and skills to carry out a rapid, economical and effective installation.

Situations will vary, but installers will typically be required to supply the appropriate installation equipment such as bucket trucks, labour as well as small hardware items such as nuts and bolts, stainless steel strapping etc. They will also need to ensure they comply with the requirements of local and other authorities

Full installation instructions will be supplied with FlagTrax®.

FLAGTRAX® PATENT INFORMATION

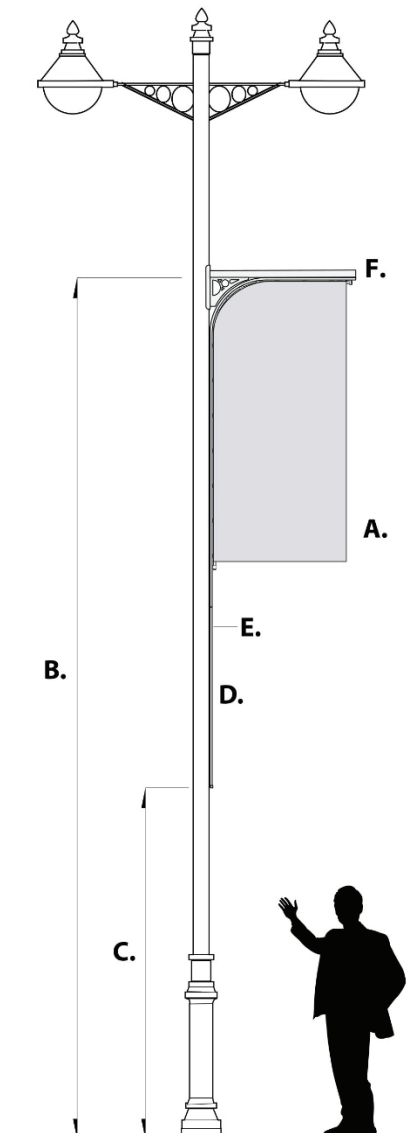
FlagTrax®, FlagTrax® Duo® and other products incorporating Nexus's PushPull™ Technology, including the flags, banners, lights and other objects displayed on them are protected in many countries by numerous patents, design registrations and copy rights, including but not limited to: Patents: New Zealand 544347 and 541624 | Patent Applications: New Zealand 614128, Australia 2012201021, Canada 2675043, International PCT/NZ2012/000237/WO2013/089566 | Design Registrations Applied for: New Zealand 417903, Australia 201313857 (Note: the international intellectual property protection of Nexus Developments Limited's products is evolving and the above details are subject to change without notice).

ORDERING FLAGTRAX®

It is important when ordering to identify the correct FlagTrax® specifications for your site or sites.

FlagTrax® is designed for mounting onto a wide range of structures. These may include but are not limited to lighting columns, concrete or wooden lampposts, walls and standalone poles.

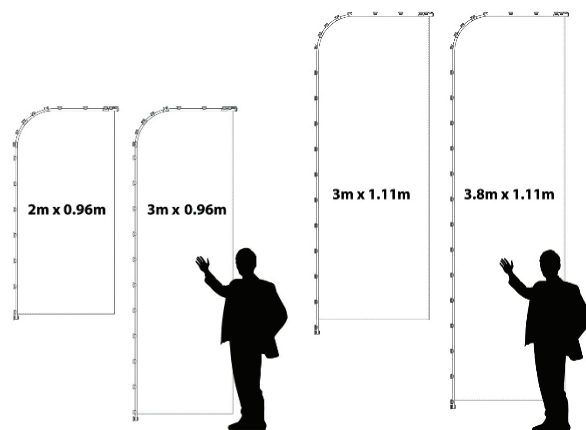
FlagTrax® will be configured to meet your requirements once we have details of the structure onto which it is to be installed.



(A) Flag Size

Each FlagTrax® is designed accommodate two street flag sizes per system with a common width.

The standard sizes are:



Narrow Sizes

2m x 0.96m, 3m x 0.96m

Wide Sizes

3m x 1.11m, 3.8m x 1.11m

(B) Height of street flag above the ground

The height at which the street flag is positioned is measured from the ground to the top of the street flag.

(C) Height of access point

An eye level access point is the most convenient, but we often recommend a 2.5m access point. This offers the best combination of ease of access and security. A low step ladder may be required for raising and lowering flags.

(D) FlagTrax® Track

FlagTrax® can be screwed or strapped to lighting columns, lampposts or poles. The type of fastening used will depend on the poles construction (steel, wood or concrete) and/or if there are any special visual or functional design considerations.

FLAGTRAX® PATENT INFORMATION

FlagTrax®, FlagTrax® Duo® and other products incorporating Nexus's PushPull™ Technology, including the flags, banners, lights and other objects displayed on them are protected in many countries by numerous patents, design registrations and copy rights, including but not limited to: Patents: New Zealand 544347 and 541624 | Patent Applications: New Zealand 614128, Australia 2012201021, Canada 2675043, International PCT/NZ2012/000237/WO2013/089566 | Design Registrations Applied for: New Zealand 417903, Australia 201313857 (Note: the international intellectual property protection of Nexus Developments Limited's products is evolving and the above details are subject to change without notice).

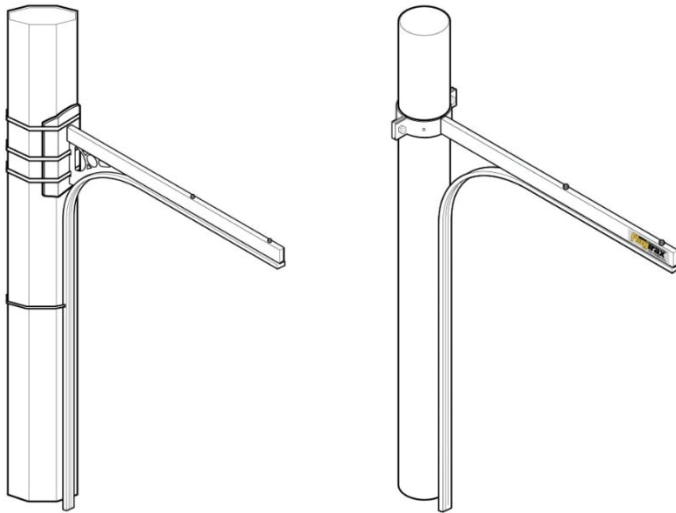
(E) FlagTrax® Colour

FlagTrax® standard finishing is powder coated Silver Quill (light neutral grey). Other colours are available upon request. Additional costs will apply.

(F) FlagTrax® Support Arm Bracket

The top horizontal section of FlagTrax® must be attached to a suitable support arm. This arm can be part of an existing pole or structure, or supplied and retrofitted as part of the install.

We have several standard support arm bracket designs suitable for retrofitting to round and octagonal poles or flat walls.



Bracket fitted to octagonal pole Bracket fitted to round pole

These brackets can be configured to fit to your structure with the most suitable fastening method (stainless steel banding, high tensile bolts or other suitable fixings).

Please provide specifications of your poles including a cross-section at the point the support arm bracket fits to the structure. This will help us determine the best bracket design and fastening method for your requirements.

FLAGTRAX® PATENT INFORMATION

FlagTrax®, FlagTrax® Duo® and other products incorporating Nexus's PushPull™ Technology, including the flags, banners, lights and other objects displayed on them are protected in many countries by numerous patents, design registrations and copy rights, including but not limited to: Patents: New Zealand 544347 and 541624 | Patent Applications: New Zealand 614128, Australia 2012201021, Canada 2675043, International PCT/NZ2012/000237/WO2013/089566 | Design Registrations Applied for: New Zealand 417903, Australia 201313857 (Note: the international intellectual property protection of Nexus Developments Limited's products is evolving and the above details are subject to change without notice).

SECTION 3 – SITE INSPECTION FORM

To quote and supply the correct FlagTrax® for your requirements please find attached the FlagTrax® Site Inspection Form.

Please print out as many copies as required (one for each different specification) and complete each as thoroughly as possible.

Client Name: This document will fill out under the clients' name.

Site Name: The project/site name for the installation.

Date: The date inspection was carried out.

Pole ref No. List all the poles that match the data on this form. Create a new page for every pole variation within the project/site.

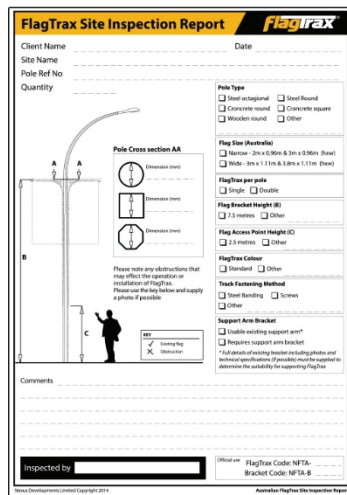
Quantity. The number of FlagTrax® system required with this specification

Pole Type: The material and profile the pole is made from. This is important for configuring the support arm bracket and determining best method for attaching the FlagTrax® track.

Flag Bracket Height: The height to the top of the street flag from the ground.

If you do not know the height, it is typical to choose an aesthetically pleasing position to display your flag. (6.5m – 7.5m is common)

Flag Access Point Height: This is the height at which the PushPull Rod is inserted into the FlagTrax® track when raising and lowering a flag.



The form is titled 'FlagTrax Site Inspection Report' and includes the following sections:

- Client Name** and **Date** fields.
- Site Name**, **Pole Ref No**, and **Quantity** fields.
- Pole Type** section with checkboxes for: Steel octagonal, Steel Round, Concrete round, Concrete square, Wooden round, and Other.
- Flag Size (Metres)** section with checkboxes for: Narrow - 2m x 0.8m & 3m x 0.8m (Steel), Wide - 2m x 1.1m & 3m x 1.1m (Steel).
- FlagTrax per pole** section with checkboxes for: Single, Double, 2.5 metres, and Other.
- Flag Access Point Height (C)** section with checkboxes for: 2.5 metres and Other.
- FlagTrax Colour** section with checkboxes for: Standard and Other.
- Track Fastening Method** section with checkboxes for: Steel Banding, Screws, and Other.
- Support Arm Bracket** section with checkboxes for: Double ended support arm* and Requires support arm bracket.
- Comments** section with a large text area.
- Inspected by** field with a signature line.
- Official** field with checkboxes for: FlagTrax Code NFTA and Bracket Code NFTA.

Flag Size: Choose wide or narrow option (see previous pages for more details)

FlagTrax® Colour: The standard colour is powder coated Silver Quill (light neutral grey). Other colours are available upon request.

Track Fastening Method: This is the method by which the vertical FlagTrax® track is secured to the pole.

Support Arm Bracket: Typically one of our standard bracket options will meet your requirements. We will advise the most suitable option after processing the data on this form.

Comments: Please add any additional information that may affect the use or installation of FlagTrax®. This might include details such as, the pole is damaged, in poor condition or obstructed in any way that could make it unsuitable.

Please also include any relevant technical drawings or pole specifications. Plus photos of any unusual obstructions ie security cameras, road signage, tethering wires etc.

(See next page for printable form)

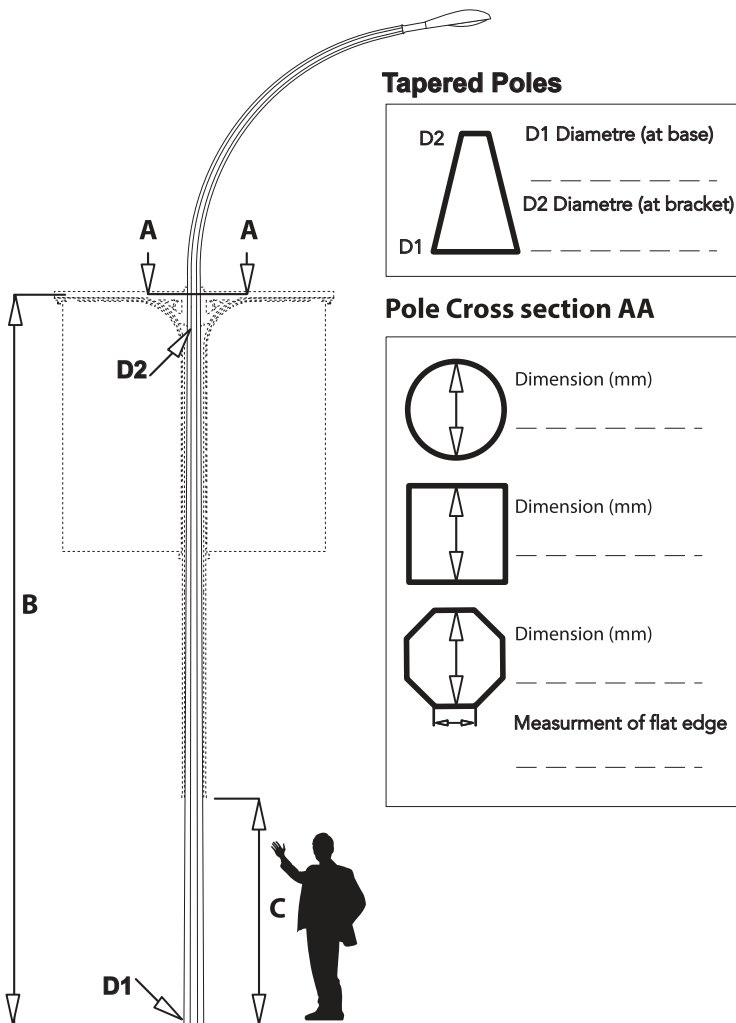
FLAGTRAX® PATENT INFORMATION

FlagTrax®, FlagTrax® Duo® and other products incorporating Nexus's PushPull™ Technology, including the flags, banners, lights and other objects displayed on them are protected in many countries by numerous patents, design registrations and copy rights, including but not limited to: Patents: New Zealand 544347 and 541624 | Patent Applications: New Zealand 614128, Australia 2012201021, Canada 2675043, International PCT/NZ2012/000237/WO2013/089566 | Design Registrations Applied for: New Zealand 417903, Australia 201313857 (Note: the international intellectual property protection of Nexus Developments Limited's products is evolving and the above details are subject to change without notice).

FlagTrax Site Inspection Report



Client Name _____ Date _____
 Site Name _____
 Pole Ref No _____
 Quantity _____



Pole Type

Steel octagonal Steel Round
 Concrete round Concrete square
 Wooden round Other

Flag Size (Australia)

Narrow - 2m x 0.96m & 3m x 0.96m (hwx)
 Wide - 3m x 1.11m & 3.8m x 1.11m (hwx)

FlagTrax per pole

Single Double

Flag Bracket Height (B)

7.5 metres Other _____

Flag Access Point Height (C)

2.5 metres Other _____

FlagTrax Colour

Standard Other _____

Track Fastening Method (Not Supplied)

Steel Banding Screws
 Other _____

Quote For Banding **Quote For Tooling**

Yes No Yes No

Support Arm Bracket

Usable existing support arm*
 Length _____ Diameter _____
 Requires support arm bracket

** Full details of existing bracket including photos and technical specifications (if possible) must be supplied to determine the suitability for supporting FlagTrax*

Comments _____

Inspected by _____

Official use FlagTrax Code: NFTA- _____
 Bracket Code: NFTA-B _____